

---

## Company Profile

**KVN Technical services LLC** is based in Dubai (UAE). The company's principal areas of business interests include Building Management System (BMS), Technical project management, Supply installation and service of Automobile Service station equipment's like Auto lifts, Automatic paint booths and Filtration system. Customer satisfaction, Integrity and commitment in all aspects of business are the core values of the organization. Our management team has decades of business experience which forms the inner strength of **KVN** group.

**KVN Technical services LLC** has represented **Automated Logic** ([www.automatedlogic.com](http://www.automatedlogic.com)) Building Automation system serving the United Arab Emirates, African Union and Sultanate Oman., and we have served our customers by providing the best building controls along with unmatched customer service.

Staff of **KVN Technical** has an expertise in this field and has carved a niche over the others. Our team is professionally trained and has a rich experience.

### **Building Automation / Management system:**

#### **Capabilities:** Supply ,Testing and Commissioning

- Automated Logic DDC controller and panels
- BMS software ( ALC – WebCTRL)
- Integrated room controllers(FCU & Valve controls)
- Energy management software modules
- Field devices
- Chiller Management system
- CO Monitoring and control system
- Metering system (BTU, Water meters, etc.)
- Chilled water Modulating or On/Off valves( for AHU, FCU & Chiller)

**KVN Technical Services LLC** can be BACnet, Modbus, KNX, DALI or all three, it can use DALI, enocean, MBus and MPbus in any combination, and a host of other protocols all supported and engineered in the same controller - no need for fancy integration, communications gateways or other foreign hardware, we have touch screens, web based solutions, server solutions and we can even meter electricity directly without the use of meters!

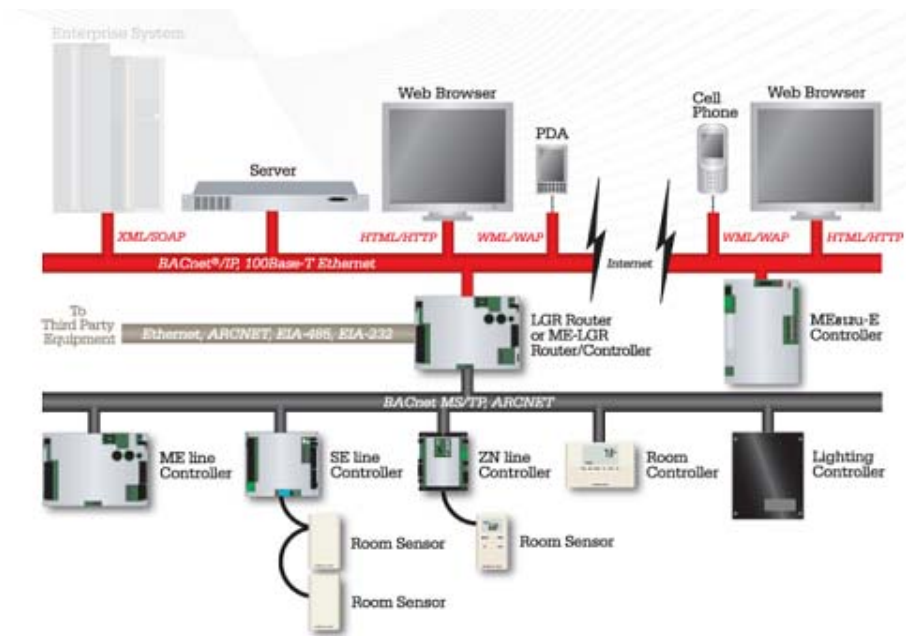
---

### ***Building Automation & Systems***



KVN Technical services LLC has proven to be the industry leader in providing integrated web-based building automation solutions. By offering our clients WebCTRL® software, the most technically advanced building automation system on the market today, KVN Technical services LLC delivers user-friendly functionality with easy control from any designated PC.

Automated Logic is a leader in providing innovative building control technologies for thousands of buildings worldwide. They set the standard in graphical programming and graphical user interface. This system utilizes native BACnet communications for true interoperability, and the products deliver superior performance in the field. With open architecture, we have defined new levels of operational freedom and flexibility. And now with WebCTRL, our browser-based building automation system, we provide flexibility like never before with WebCTRL's Java-based web technology, 100% open architecture, native support for BACnet and the ability to run on many different operating systems.



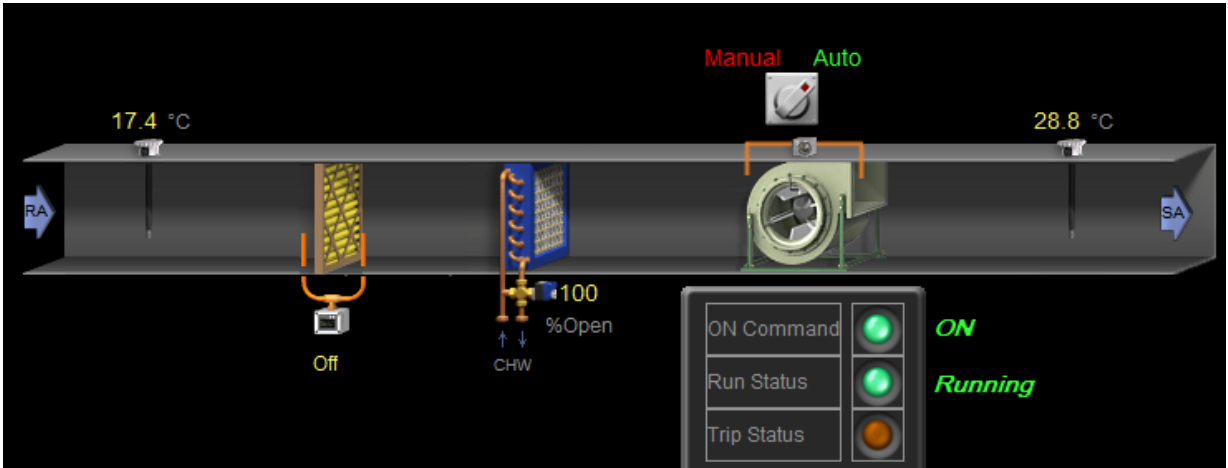
We supply, install and service the Automated Logic building automation systems and lighting system. These systems are used to control and optimize energy consumption of HVAC

*Building Automation & Systems*

equipment and lighting in schools, universities, hospitals, office buildings and other commercial properties. We also interface with other building systems, such as smoke and fire alarm systems, fume hoods and power monitoring. Our specialty is sophisticated and unique systems such as data centers and hospitals, while schools and universities continue to make up a large portion of our business

**Automated Logic's WebCTRL® puts you in complete control of your energy-saving program**

**WebCTRL®**, our web-based building automation system, provides all you need to develop and maintain successful energy-saving strategies. A fully integrated system with powerful reporting, trending and scheduling capabilities, only WebCTRL features two unique tools that enable you to manage the relationship between energy consumption and comfort both easily and effectively:



The **Environmental Index™** (EI) offers a real measure of workplace or classroom comfort, recording how accurately a zone temperature maintains its heating and cooling setpoints. The EI registers poor to optimal (0% to 100%) conditions on an analog gauge and can incorporate relative humidity, CO2 levels and other environmental factors into its readings. Every occupied zone, area, floor or building can be calculated, weighted for priority, trended and reported.



***Building Automation & Systems***

**Energy Reports™** leverages WebCTRL's extensive trending capabilities to generate operating data, in graphic or spreadsheet format, for tracking and analyzing building performance. Reports include Occupied/Unoccupied Usage, Cooling Degree Days/Heating Degree Days, low-median-high data and benchmark comparison data. And Energy Reports can simultaneously display the Environmental Index for direct, side-by-side comparison and assessment of energy use and comfort.

## Lighting the way to additional energy savings



Facility managers know that lighting protocols can have a profound impact upon energy use, comfort and productivity as well. WebCTRL's new LC-line of lighting control panels provides superior lighting control with complex lighting management functionality for occupancy control, scheduling, daylight harvesting and more. Along with the Environmental Index and EnergyReports, it's one more way Automated Logic can help you:

- Lower your energy and operating costs
- Increase your ENERGY STAR® rating
- Achieve LEED® certification



## Open Systems Integration

### It's Never Been Easier!

WebCTRL's open architecture and support for industry standards makes integration with third party mechanical and electrical building subsystems easy. The WebCTRL system is capable of supporting multiple protocols over a TCP/IP network allowing many equipment items to be

---

## *Building Automation & Systems*

connected directly to the main WebCTRL backbone. Equipment using BACnet can be connected to an IP, ARCNET, MS/TP, or Point to Point (PTP) network segment. Automated Logic's Open Systems Integration allows for seamless interconnection to equipment using BACnet, Modbus, N2, JBUS, or LonWorks, as well as an extensive list of proprietary protocols.

### **LGR High Speed Ethernet Router**

The LGR is an extremely powerful, high-speed device router that can connect hundreds of control modules to a BACnet/IP backbone. Support for BACnet/IP, BACnet over



Ethernet, ARCNET 156kbps, MS/TP, and BACnet PTP communications are standard. Optional protocol translator packages and a wide range of communication ports allow the LGR to also serve as a gateway to a wide range of open and proprietary networks. Fully programmable, the LGR can also execute complex control strategies for high level system integration.

Additionally, we're proud to say that we offer clients a variety of specialty services across several markets - a unique benefit to the advantage of our clients and which we believe sets us apart from the rest.

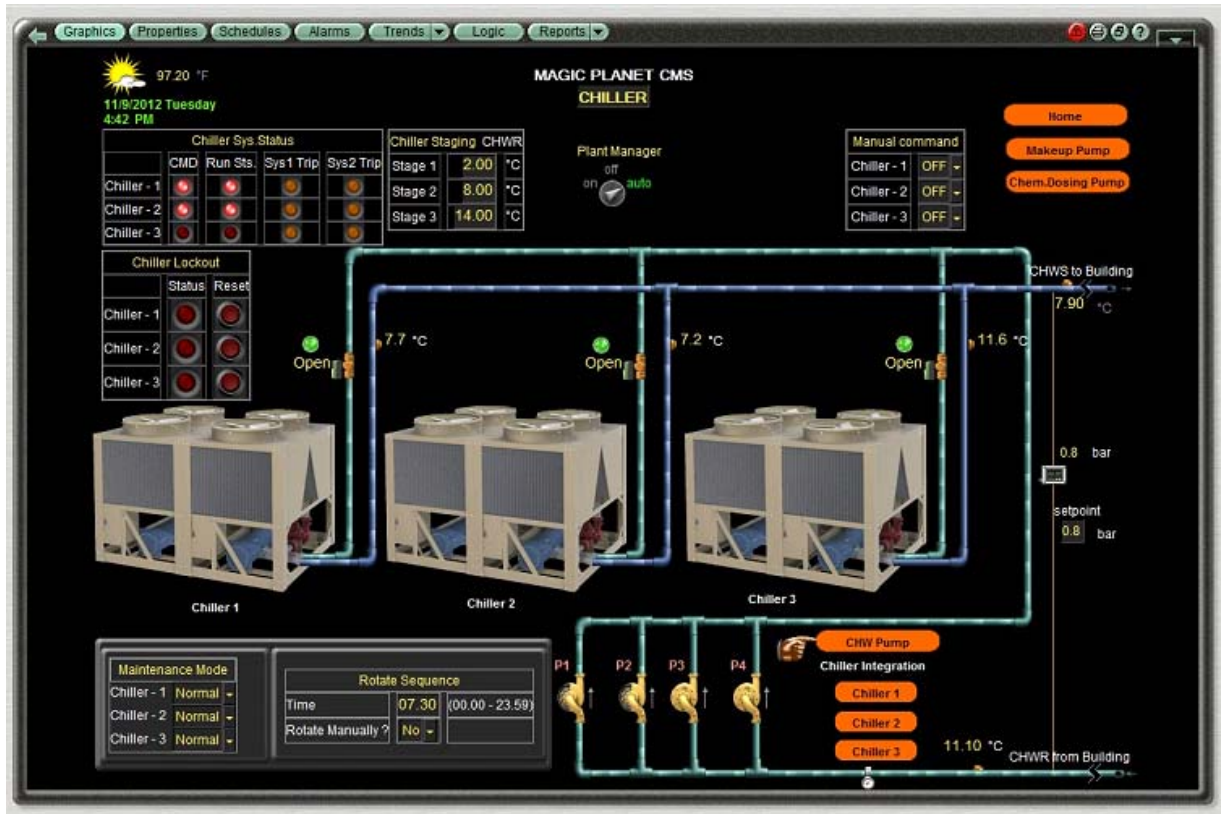
We're proud to say our systems can help clients achieve high levels of building efficiency, occupant comfort and even ENERGY STAR® and LEED certifications.



---

### ***Building Automation & Systems***





## Energy Savings and Sustainable Operations



### **Our building control solutions cut operating costs without cutting back on comfort**

With tighter operating budgets, stricter government guidelines and increasing public awareness, energy savings and resource conservation have become top priorities in the public and private sectors. And with those priorities, sustainable building operations have become a real balancing act between energy use and occupant comfort.

But facility managers know that saving on energy expenses cannot come at the expense of comfort. Studies have linked comfort levels to error rates and productivity, absenteeism and even successful classroom learning. An energy policy that fosters disgruntled employees or underperforming students is not smart policy at all.

---

### *Building Automation & Systems*

P.O. BOX 76620, Dubai, U.A.E. Tel: 04 2363349 Fax: 04 2363359, kvntechnical@eim.ae

So the key is to strike a predictable and measurable balance – and to maintain that balance consistently.

There's a reason why most of our relationships with contractors, consultants and property owners and operators have lasted more than 15 years - clients trust us to get the job done the right way and, essentially, the **KVN Technical** way.

Our team of dedicated, professional and experienced staff will provide you with:

- leading-edge technology
- responsive 24/7 support
- expert designs
- installation services
- system integration
- on-call maintenance services

**KVN Technical services LLC** has a proven track record for completing and servicing large and complex projects in which HVAC is considered a mission-critical system.

We operate over several verticals including:

- schools
- university and college campuses
- healthcare facilities
- data centers
- commercial office towers
- research laboratories

## **Contacts**

KVN Technical Services LLC,

P.O. Box 76620,

Dubai – UAE,

Tel.:+971 4 236 3349, Fax: +971 4 236 3359

Email: [kvntechnical@eim.ae](mailto:kvntechnical@eim.ae)

## **Our few ALC project references**

PSPF Tanzania

CADILA Pharmaceuticals Ethiopia

---

## ***Building Automation & Systems***

P.O. BOX 76620, Dubai, U.A.E. Tel: 04 2363349 Fax: 04 2363359, [kvntechnical@eim.ae](mailto:kvntechnical@eim.ae)



Western Geco (schlumberger – Abu Dhabi)



Marina Mall - Abu Dhabi:



---

***Building Automation & Systems***

P.O. BOX 76620, Dubai, U.A.E. Tel: 04 2363349 Fax: 04 2363359, kvntechnical@eim.ae



Le Reve Tower – Dubai



International Finance Center – Dubai (DIFC)



King Hamad University hospital, Manama - Bahrain



Our focus is on **CUSTOMER SATISFACTION**. Please feel free to contact us list of project references and /or services.

*... the power of simplicity -*

---

***Building Automation & Systems***

P.O. BOX 76620, Dubai, U.A.E. Tel: 04 2363349 Fax: 04 2363359, [kvntechnical@eim.ae](mailto:kvntechnical@eim.ae)